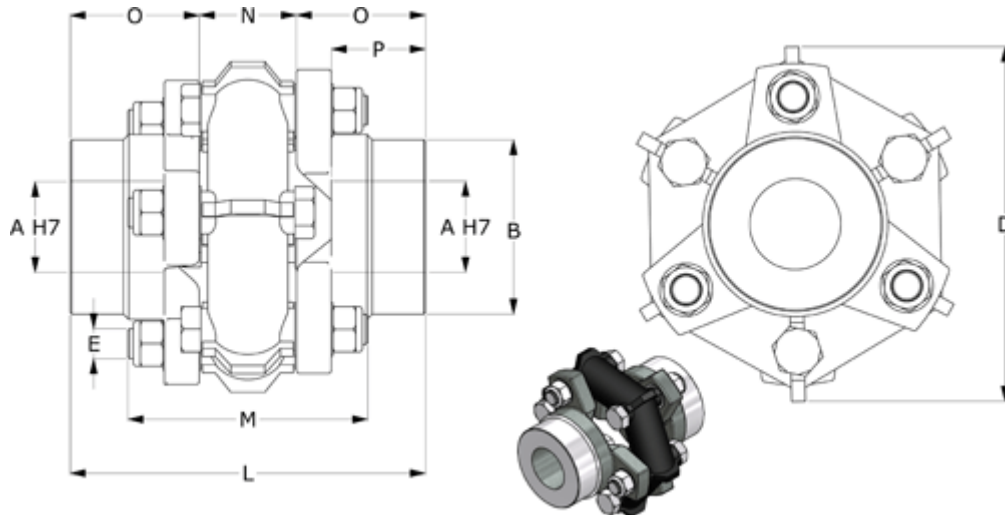


Article number: 3213339

Description: Ortlinghaus Coupling size 39

Measures



A max H7	= 60	M	= 120	Tightening torque N m	= 120
Axial displacement mm	= +/-4	Moment of inertia kg/m ²	= 0.00900	Weight	= 6.5
B	= 90	N	= 50		
Bending angle	= +/-2,8	O	= 65		
C	= 132	P	= 53		
D	= 181	Radial displacement	= +/-0,8		
E	= M14	Standard running NM	= 270		
L	= 180	Stress load Nm	= 675		